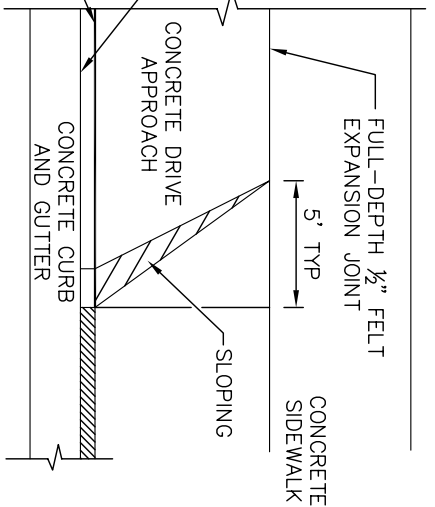
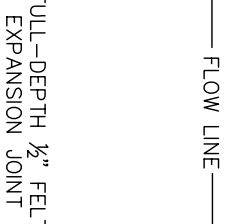
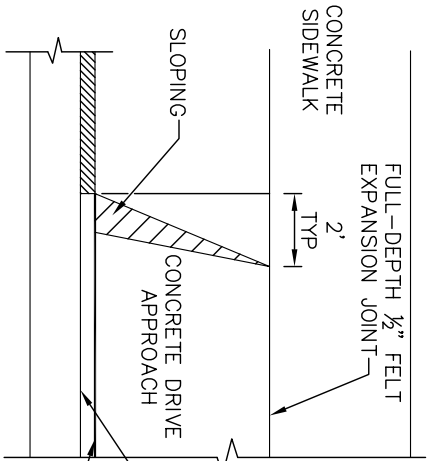
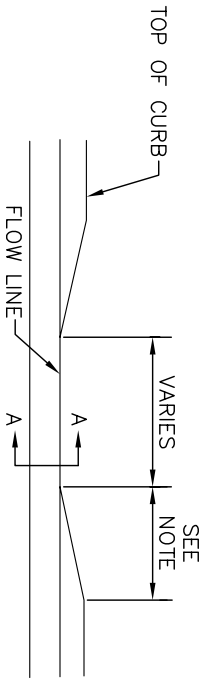


RESIDENTIAL

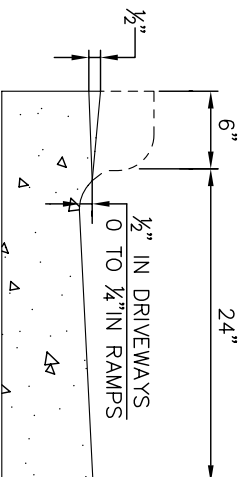


COMMERCIAL



NOTE:
12" TO 18" TAPER FOR STANDARD DRIVEWAY APPROACH
18" TO 24" TAPER FOR STANDARD RAMP

TYPICAL CURB CUT TAPER



**DRIVEWAY SECTION WISDOT TYPE 'A'
CONCRETE CURB & GUTTER
SECTION A-A**

NOTES
IF A MOUNTABLE OR DEPRESSED CURB IS NOT CONSTRUCTED WITH THE INITIAL CURB AND GUTTER CONSTRUCTION, THE CURB CUT SHALL BE MADE BY SAWCUTTING THE EXISTING CURB HEAD BY MEANS OF A SPECIAL SAW DESIGNED TO MEET THE DETAILS ABOVE AND THE WAUPUN SPECIFICATION FOR "MINIMUM REQUIREMENT FOR DRIVEWAY CURB CUT". WITH APPROVAL OF THE DIRECTOR OF PUBLIC WORKS, THE CURB AND GUTTER MAY BE COMPLETELY REPLACED WITH A MOUNTABLE OR DEPRESSED CURB MEETING CITY'S STANDARDS.

**CITY OF WAUPUN
PUBLIC WORKS DEPARTMENT**

DRIVEWAY CURB CUT DETAILS

DRAWING NUMBER	C-001
SCALE	NONE
REVISION DATE	02/07
DEPARTMENT	PWD